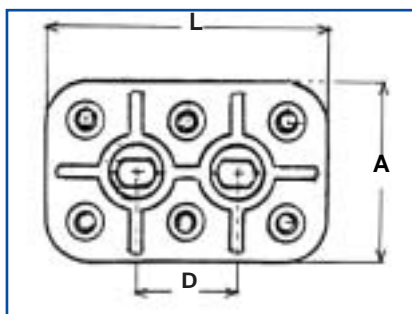


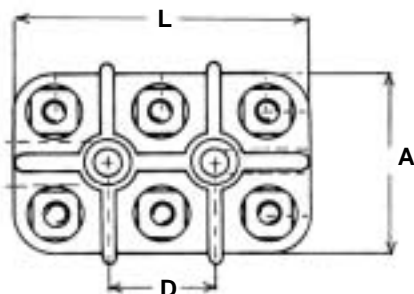
Placas de Bornas

ADAPTABLES • ADAPTABLES • ADAPTABLES • ADAPTABLES



| REFERENCIA | DIMENSIONES | | BORNA (mm ²) | DISTANCIA ENTRE EJES D | POTENCIA (HP) |
|------------|-------------|-----|-----------------------------|---------------------------|------------------|
| | L | A | | | |
| G-1 | 36 | 23 | M-3 | 12 mm | 0,17 - 2 |
| G-11 | 40 | 25 | M-4 | 15 mm | 0,50 - 3 |
| G-15 | 50 | 32 | M-4 | 20 mm | 1 - 3 |
| G-22-A | 56 | 35 | M-4 | 20 mm | 2 - 5 |
| G-22 | 56 | 35 | M-5 | 20 mm | 2 - 5 |
| G-33-A | 69 | 44 | M-5 | 25 mm | 4 - 7,5 |
| G-33 | 69 | 44 | M-6 | 25 mm | 4 - 7,5 |
| G-33-B | 80 | 50 | M-6 | 30 mm | 10 - 15 |
| G-33-C | 80 | 50 | M-8 | 30 mm | 10 - 15 |
| C-11111 | 95 | 61 | M-8 | 35 mm | 20 - 30 |
| C-9999 | 100 | 70 | M-8 | 40 mm | 30 - 60 |
| C-22222 | 118 | 75 | M-10 | 43 mm | 60 - 80 |
| C-33333 | 140 | 85 | M-12 | 70 mm | 80 - 100 |
| C-44444 | 170 | 110 | M-16 | 72 mm | 100 - 200 |

SIEMENS • SIEMENS • SIEMENS • SIEMENS



| REFERENCIA | DIMENSIONES | | BORNA | DIST. EJES | POTENCIA |
|------------|-------------|----|-------|------------|------------|
| IAP-S-100 | 53 | 28 | M-4 | 20 mm | 0,25 - 2,5 |
| IAP-S-111 | 55 | 36 | M-4 | 20 mm | 0,25 - 3 |
| IAP-S-222 | 65 | 44 | M-5 | 24 mm | 4 - 7,5 |
| IAP-S-333 | 76 | 54 | M-6 | 28 mm | 10 - 25 |

Placas de Bornas

R E D O N D A S • R E D O N D A S



| REFERENCIA | DIAMETRO Ø | DIST. EJES | BORNA | TIPO |
|------------|------------|------------|-------|---------------|
| AE-112 | 85 | 70 | M-5 | AM 56 a 100 |
| AE-160 | 114 | 95 | M-6 | AM 112 a 160 |
| AE-180 | 140 | 115 | M-8 | AM 160L a 180 |

G . E . E DE BAQUELITA • G . E . E DE BAQUELITA • G . E . E DE BAQUELITA

| REFERENCIA | DIAMETRO Ø | DIST. EJES | BORNA | TIPO |
|------------|------------|------------|-------|------------|
| G-44 | 51 | 36 | M-3 | GEAL-11 |
| G-55 | 64 | 48 | M-5 | GEAL 21-23 |
| G-66 | 74 | 48 | M-5 | GEAL 31-42 |
| G-77 | 84 | 52 | M-6 | GEAL 51-71 |



G . E . E • G . E . E • G . E . E



| REFERENCIA | MEDIDAS | DIST. EJES | BORNA | TIPO |
|------------|---------|------------|-------|-----------------------|
| E-4-IAP | 58 x 31 | 50 mm | M-4 | FM-63/80 G-80/63 |
| E-5-IAP | 73 x 39 | 60 mm | M-5 | FM-90/100/112 G-90 |

M E C A N O M E T • M E C A N O M E T • M E C A N O M E T

| REFERENCIA | MEDIDAS | DIST. EJES | BORNA |
|------------|---------|------------|-------|
| IAP-A-1111 | 63 x 35 | 53 mm | M-4 |
| IAP-A-2222 | 70 x 45 | 59 mm | M-4 |



Placas de Bornas

9 BORNAS • 9 BORNAS • 9 BORNAS • 9 BORNAS • 9 BORNAS

| REFERENCIA | MEDIDAS | DIST. EJES | BORNA |
|------------|---------|------------|-------|
| A-3333 | 63 x 45 | 24 mm | M-5 |



12 BORNAS • 12 BORNAS • 12 BORNAS • 12 BORNAS • 12 BORNAS



| REFERENCIA | ALTO | LARGO | ANCHO | D. ENTRE EJE | BORNA |
|------------|-------|--------|---------|--------------|-------|
| 5.146-IAP | 39-30 | 104 mm | 82,5 mm | 25-90 mm | M-6 |

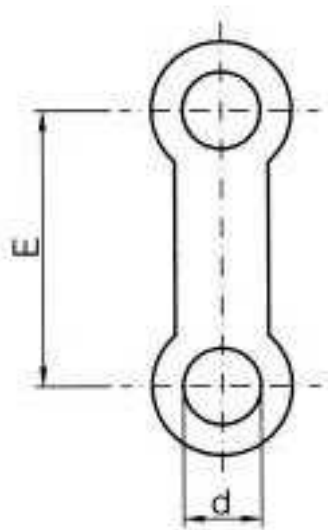
Regletas Siemens



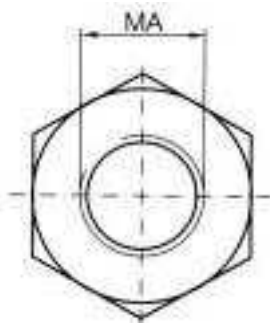
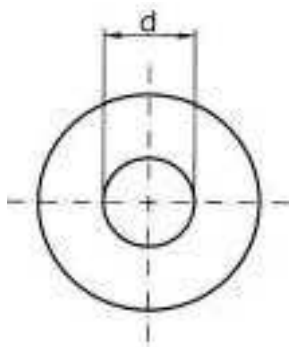
| REFERENCIA | T. MOTOR | Ø BORNA | DIMENSIONES (largo x ancho) | DISTANCIA ENTRE EJES |
|-------------|-----------|---------|-----------------------------|----------------------|
| IAP-S-444-P | T-160-L | 6 | 80 x 20 | 30 mm |
| IAP-S-444 | T-180 | 8 | 106 x 34 | 40 mm |
| IAP-S-555 | T-200-225 | 10 | 123 x 42 | 47 mm |
| IAP-S-666 | T-250-280 | 12 | 145 x 44 | 54 mm |
| IAP-S-777 | T-300-800 | 16 | 183 x 54 | 68 mm |



Puentes, arandelas y tuercas de latón



| REF | Ø d | DISTANCIA E |
|---------|-----|-------------|
| P000G01 | 3 | 12 |
| P000G11 | 4 | 15 |
| P000G15 | 4 | 18 |
| P000G22 | 5 | 20 |
| P000G33 | 6 | 25 |
| P00G33B | 6 | 30 |
| P0A3333 | 5 | 15 |
| PC11111 | 8 | 35 |
| PC22222 | 10 | 43 |
| P00S111 | 4 | 20 |
| P00S222 | 5 | 24 |
| P00S333 | 6 | 28 |
| P00S100 | 4 | 16 |
| PC44444 | 16 | 60 |



| Ø d |
|-----|
| 3 |
| 4 |
| 5 |
| 6 |
| 8 |
| 10 |
| 12 |
| 16 |

| METRICA |
|---------|
| 3 |
| 4 |
| 5 |
| 6 |
| 8 |
| 10 |
| 12 |
| 16 |